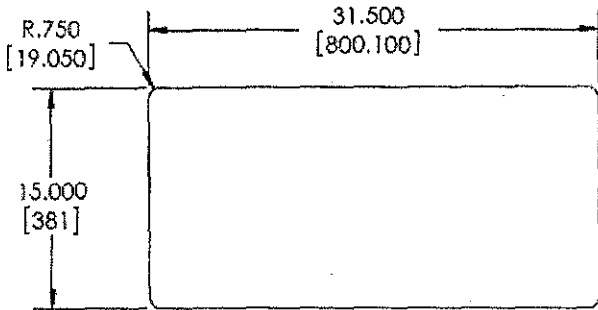
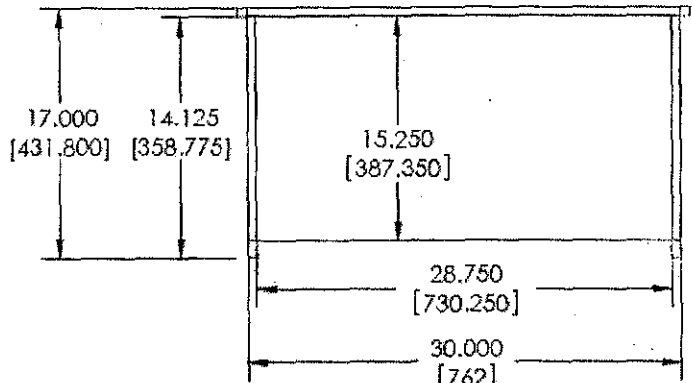


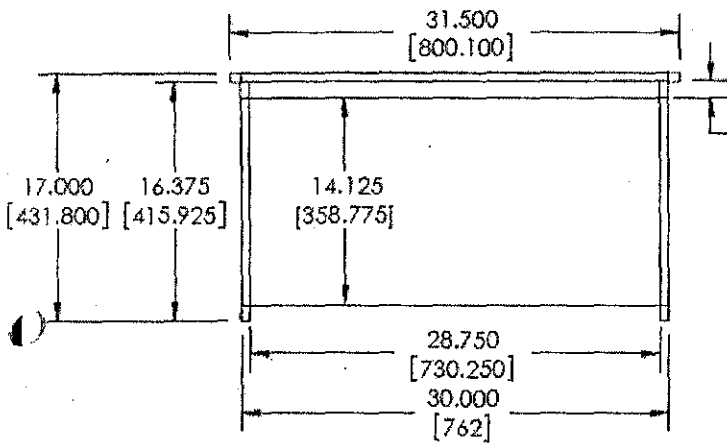
F09-01-097-BKFTB



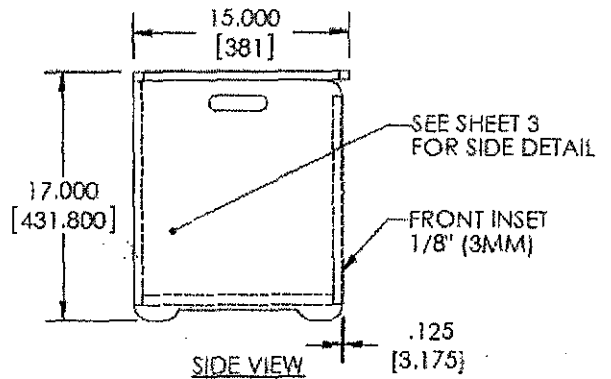
TOP VIEW




BACK VIEW



FRONT VIEW



SIDE VIEW

 TARGET CORPORATION MINNEAPOLIS, MN 55403 DO NOT SCALE DRAWING	SIZE	A
	REV	1

**NOTES:**  
 \*\*Please submit any changes/modifications that reduce cost, maximize board yield, or increases manufacturing efficiencies prior to sampling.\*\*

TITLE	F09 TOYBOX REVISED
DESCRIPTION	ELEVATIONS AND DETAILS

DRAWN BY	AMW
DATE	12/22/08

SCALE	NTS
SHEET	2 OF 3

TOLERANCES	A = ±0.5mm K = ±0.5mm XX = ±0.5mm XXX = ±0.5mm FRAGT = ±0.15" ANGLE = ±1°
------------	--

Copyright 2008 Target Corporation. This document is the property of Target Corporation and is intended for internal use only. It is not to be distributed outside of Target Corporation. All rights reserved. Target Corporation and the Bullseye logo are trademarks of Target Corporation. All other trademarks are the property of their respective owners.